

## FIBER OPTIC INLINE SPLICE CLOSURE



### FEATURES

- The closure adopts horizontal mechanical sealing and advanced internal structure design
- To adopt engineering PC plastic with high-strength to make the closure has longer life time and excellent sealing performance
- The closure is spacious enough for winding and storing fibers
- The patented sealing structure keep good sealing performance after re-entry and re-using
- It works for mid--span and branching
- It could save the installation time and improve work efficiently

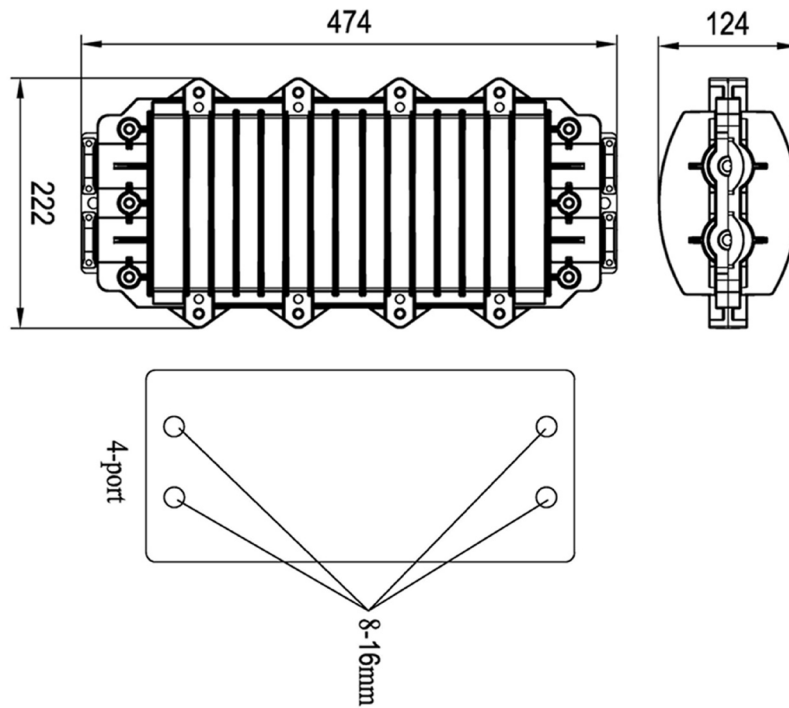
### APPLICATION

- Suitable for bunchy & ribbon fibers
- Aerial, underground, wall-mounting, hand hole-mounting pole-mounting and duct-mounting

### TECHNICAL SPECIFICATIONS

Size	474mm x 222mm x 124
Material	Closure: PP Splice Tray: ABS
Ports	4 $\phi$ 8- $\phi$ 16
Number of Trays	4
Tray Capacity	12F -24F
Closure Capacity	24F, 48F, 72F, 96F
IP Rating	IP 68





### STANDARD ACCESSORIES

Seal tape	1 roll	Desiccant	2 bags
Insulation tape	1 roll	Measuring paper	1 pc
Abrasive cloth	1 pc	Special wrench	1 pc
Earthing wire	1 pc	Hexagon wrench	1 pc
Nylon tie	1 set	Hanging hook	1 set
Labeling paper	1 pc	Heat shrinkable protective sleeve	1 bag

### OPTIONAL ACCESSORIES

Pressure testing valve	1 pc	Pole mounting bracket	1 set
Earthing deriving device	1 pc	Wall mounting bracket	1 set
Buffer tube for bunchy fiber	1 roll	Buffer tube for ribbon fiber	1 roll

### PART NUMBER GENERATOR

INTELCI424	Fiber Optic 24 Fiber Inline Splice Closure
INTELCI448	Fiber Optic 48 Fiber Inline Splice Closure
INTELCI472	Fiber Optic 72 Fiber Inline Splice Closure
INTELCI496	Fiber Optic 96 Fiber Inline Splice Closure